

## LEISTER Forte S3 Hot Air Blower



Please read operating instructions carefully before use and keep for further reference.

### APPLICATION

- **Shrinking** of shrink-hoods and films used in packaging goods of all types.
- **Drying** of water-damp surfaces.
- **Heating-up** for forming, bending and sealing of thermoplastic semi-finished materials.
- **Defrosting** of frozen water pipes.
- **Activating** single or multi-component adhesives.
- **Removing** old shellac, oil, resin paints and underseals on vehicles.





## WARNING



**Danger!** Unplug the tool before opening it, as live components and connections are exposed.



Incorrect use of hot air tools can present a **fire and explosion hazard**, particularly in the proximity of flammable materials and explosive gases.



## CAUTION



The **rated voltage** stated on the tool must correspond with the mains voltage.



For personal protection, we strongly recommend the tool to be connected to an **RCCB** (Residual Current Circuit Breaker) before using it on construction sites.



Do not touch the element housing and nozzle when hot as they can cause **burns**. Do not point the hot air flow in the direction of people or animals.



The tool must be operated **under supervision**. Heat can ignite flammable materials which are not in view.



Protect the tool **from damp and wet**.

## Approval Marks



This tool is **CCA** certificated (CENELEC Certification Agreement).

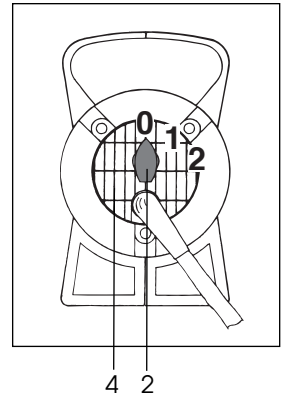
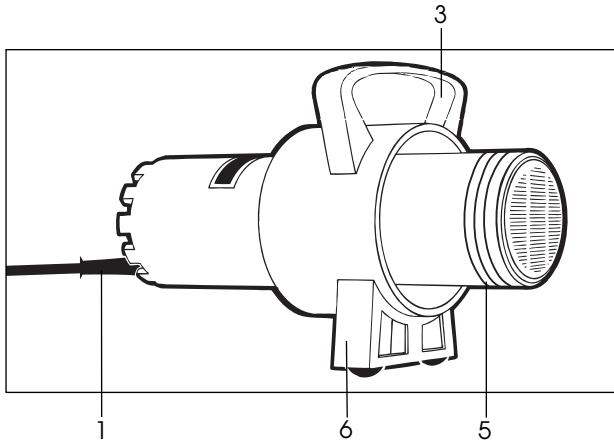
## TECHNICAL DATA

Electrical safety:  double insulated

Voltage	V~	3x230, 3x400, 3x440, for 50/60 Hz
Capacity	kW	10 10 10
Temperature	°C	650
Air flow	l/min.	1000
Air pressure	mbar	12
Noise level	dB (A)	76
Weight	kg	3.4 without cable, 5.2 with 10m cable
Size	mm	390 x 132 x 215

Mains voltage cannot be switched over

Description of tool



- |  |  |
|--|--|
| <ol style="list-style-type: none"> <li>1. Cable to mains</li> <li>2. Switch: stage 0 = off<br/>stage 1 = cold air<br/>stage 2 = hot air</li> </ol> | <ol style="list-style-type: none"> <li>3. Handle</li> <li>4. Air intake with grille</li> <li>5. element housing</li> <li>6. Stand</li> </ol> |
|--|--|

Operation

- Connect tool to the mains.
- Set **Switch (2)** to stage 2 and allow to warm up for about 1 min.
- Rest tool on heat resistant surface. Make sure no objects or obstacles stand in the way of the air outlet because of the fire hazard.
- The Leister Company, as well as the Service Centres, offer free training courses in all areas of application (see page 1).
- After completing the work, **switch (2)** to stage and allow the tool to cool down.

## MAINTENANCE

- The tool's **air intake grille(4)** should be cleaned with a fine brush.

## SERVICE AND REPAIRS

- The carbon brushes of the welding tool's motor should be checked after about 1600 hours running time by your Service Centre.
- Repairs should only be carried out by authorised **LEISTER Service Centres**. They guarantee a correct and reliable **repair service within 24 hours** using original spare parts in accordance with the circuit diagrams and spare parts lists.

## GUARANTEE AND LIABILITY

- Guarantee and liability are in accordance with the guarantee certificate as well as with the currently valid general business and sales conditions.
- LEISTER Process Technologies rejects any guarantee claims for tools which are not in their original condition. The tools must never be altered or changed.

**Technical data and specifications are subject to change without prior notice.**

**Your authorized Service Centre is:**